

## After Repeated Cleanings

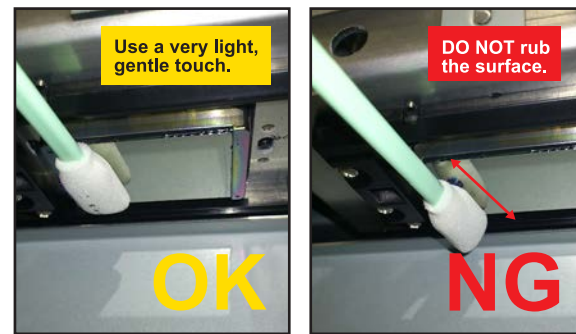
# If flaws in the dot pattern still occur:

### CLEANING THE HEAD SURFACE

The print head surface is a very delicate and sensitive area that requires gentle and careful handling.

#### ■ CLEANING PROCEDURE

- 1 Thoroughly soak a brand new cleaning swab with unused cleaning liquid.
- 2 Very gently and carefully dab the print head surface with the swab so the cleaning liquid soaks into the nozzles. Do not use any rubbing action on the print head surface.
- 3 After cleaning, try a test print to confirm the result.



Rough cleaning may damage the print head's water-repellent coating and worsen the problem.

**ATTENTION :** This procedure is not a permanent treatment. Cleaning may possibly damage the print head and worsen the problem depending on circumstances. For further information, please ask for your local retailer.

#### ■ Where to call

Please feel free to ask for your local retailer if you have any questions.

ADDRESS:

#### ⚠ CAUTION ABOUT CLEANING LIQUID

**Flammable :** Keep away from open flame. Ensure adequate ventilation.  
**Toxic :** Never drink the liquid or allow it to come in contact with the eyes or skin.

 Roland

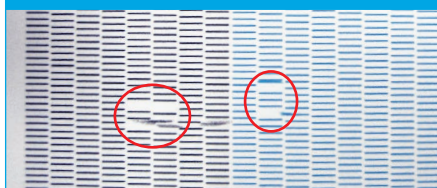
For optimum printer performance

# INKJET PRINTER MAINTENANCE GUIDE



## Use this simple check list to assess the condition of your printer.

#### Clogging or misdirected nozzles



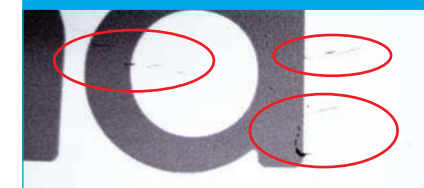
Flaws in the dot pattern are caused by dust on the print heads. An automatic cleaning does not solve this problem, and only changes the positions of missing dots.

#### Ink drips



Ink that has adhered to dirty or dusty print heads drips onto the media.

#### Dragging dirt



When dirt or dust accumulates on the print heads it can interfere with image quality.

**Dirty print heads caused by dust and/or dried ink clots result in lower print quality.**

The amount of maintenance required varies according to printer usage. They are easy 10-minute jobs. Follow this guide for optimum results.



# PRINT HEAD CLEANING

## CLEANING LIQUID

For an effective cleaning, use the Roland Cleaning Liquid.

Apply it to the residue-free Roland Cleaning Swabs. It has higher ability to remove dust and ink.



### CAUTION

- Do not apply any cleaning liquid to the parts other than specified in this guide.
- Do not use any others than the Roland Cleaning Liquid.

## OUTLINE OF MAINTENANCE

The specific procedure is described in the user's manual.

### 1 Enter the MAINTENANCE menu

#### Cleaning

Point 1 The side of the print heads

Point 2 Around the cap

Point 3 Around the wipers

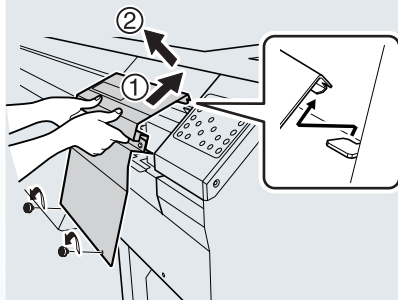
MAINTENANCE CLEANING

#### Replacing consumable parts

Point 4 Replace the wipers

MAINTENANCE REPLACE WIPER

### 2 Remove the cover(s)



\* Cover to be removed depends on the printer models.

### 3 Start maintenance operation

#### Cleaning

Apply the cleaning liquid to the cleaning swab and clean each parts.



#### Replacing consumable parts

Replace the wipers if they are worn and deformed.

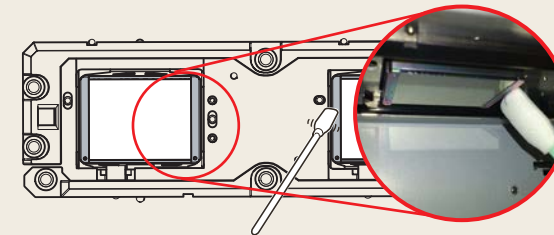
### CAUTION

- Use up a cleaning swab in every cleaning, and do not reuse it in another time.
- Do not reuse the cleaning swab. This can result in loss of print quality.
- Do not use general cotton-tipped swabs. The cotton fibers can leave residue on the print heads.

### Point 1 The side of the print heads

Using the cleaning swab, thoroughly remove any dirt, dust and/or ink from all four sides (front, back, right and left) of the print heads.

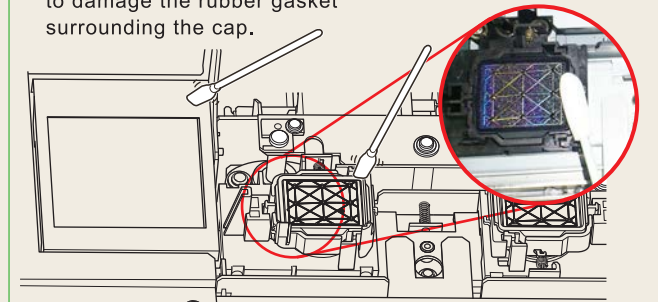
\*While working with the cleaning swab, be careful not to touch the print head surfaces directly.



When dirt accumulates along the sides of the print head, print quality is impaired. This can also cause a premature print head failure.

### Point 2 Around the cap

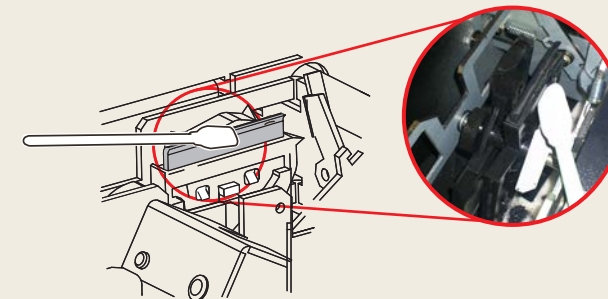
With the cleaning swab and tweezers, remove the dirt and ink around the cap. Only the tweezers should be used to remove the dirt and debris from the inner sponge area. Work gently and try not to damage the rubber gasket surrounding the cap.



The accumulation of dirt around the cap gasket impairs the print head's seal to the cap. Over time, this problem can cause premature print head failure.

### Point 3 Around the wipers

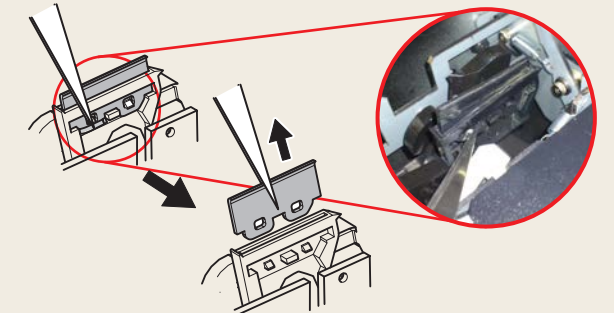
Remove the dirt around the wipers using the cleaning swab and tweezers.



Dirt around the wipers may lower the effect of the automatic cleaning and can also be a factor of damaging the print heads.

### Point 4 Replace the wipers

Replace the wipers if they are worn. Hitch the tweezers to the hole on the wiper, remove the wiper from the hook, and then pull the wiper upwards. Install new wipers, making sure that they are fully locked into place at the base.



The effect of the automatic cleaning is reduced when wipers are worn. Check wipers on a regular basis to ensure their performance.

After the cleaning, perform a TEST PRINT to confirm the print quality. If problems persist, try Medium Cleaning several times. If the TEST PRINT does not improve, perform a Powerful Cleaning. Instructions on both cleanings are found in the user's manual.