

59" Retractable Banner Stand

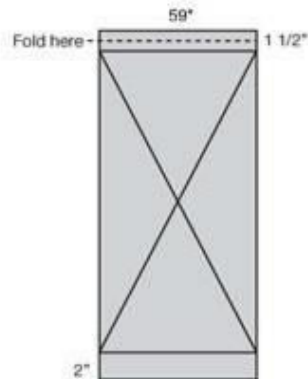
INSTRUCTIONS

- Maximum width: 59"
- Maximum height: 78" / Height is also adjustable.

*No tools required
Easy set up in minutes.*

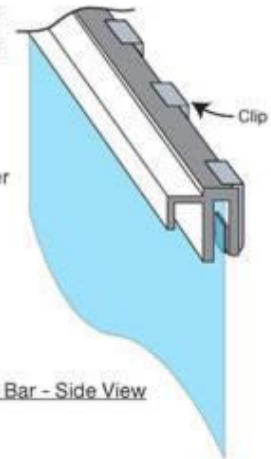


- 1** Prepare banner to be within 59" wide.



- 2** Include an extra 1 1/2" to the top to be folded and secured to Top Bar using the Clips.

Release all clips and slide banner (folded side up) into Top Bar.



Top Bar - Side View

- 3** Peel off adhesive strip from base. Adhere the bottom of the banner to the strip. Use clear tape on the front and back for a more secure hold.

